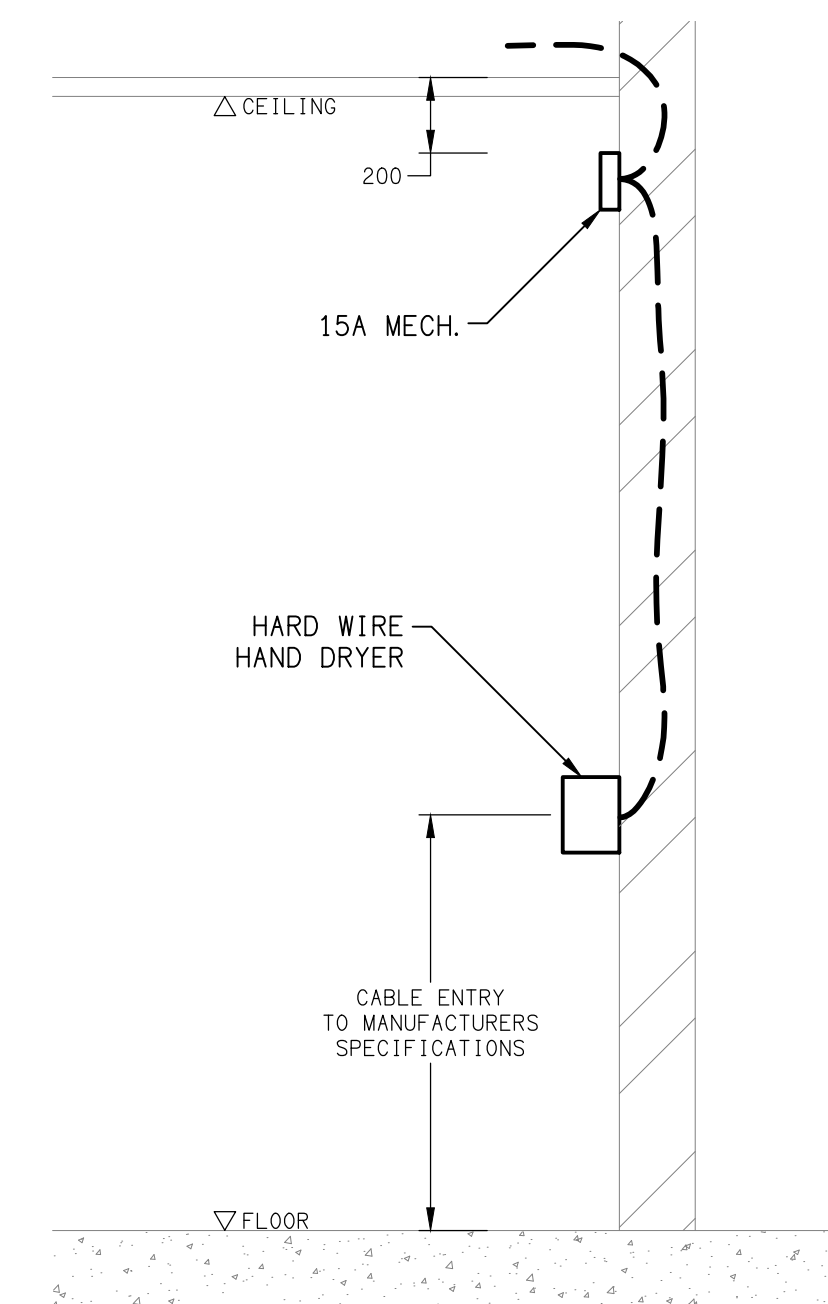
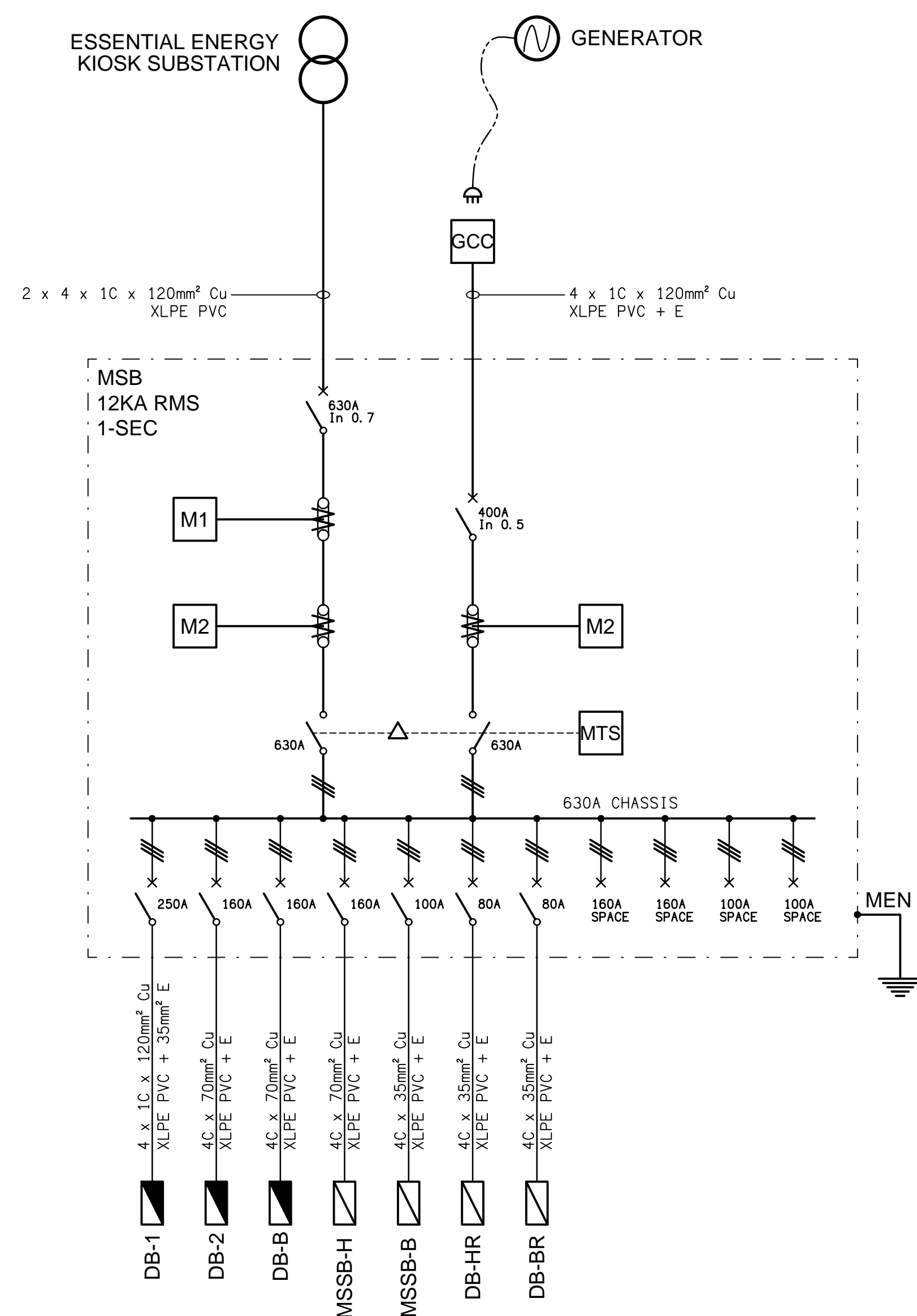


**DETAIL**  
TYPICAL OUTLET MOUNTINGS  
NOT TO SCALE

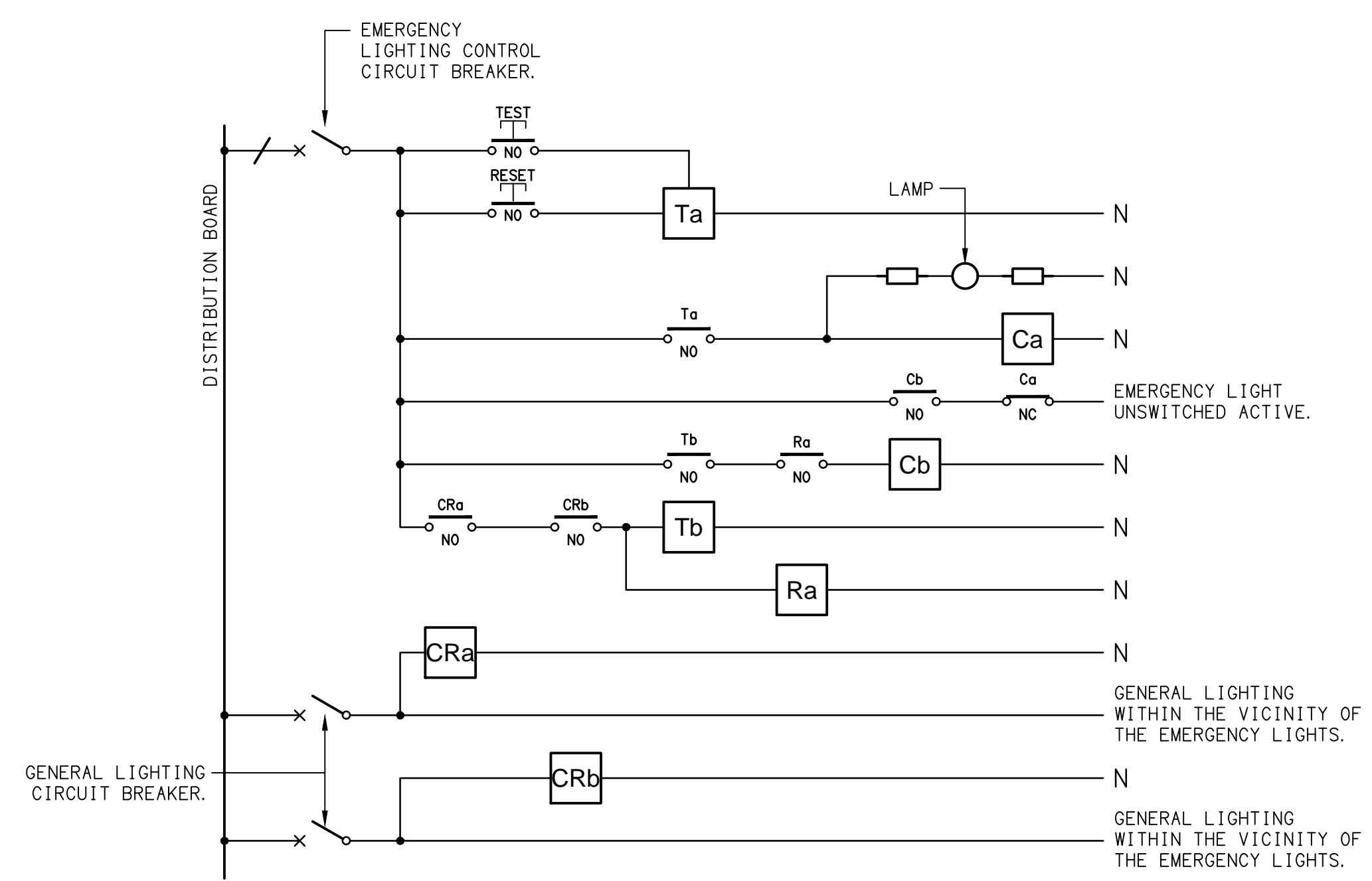


**DETAIL**  
HAND DRYER CONNECTION  
NOT TO SCALE



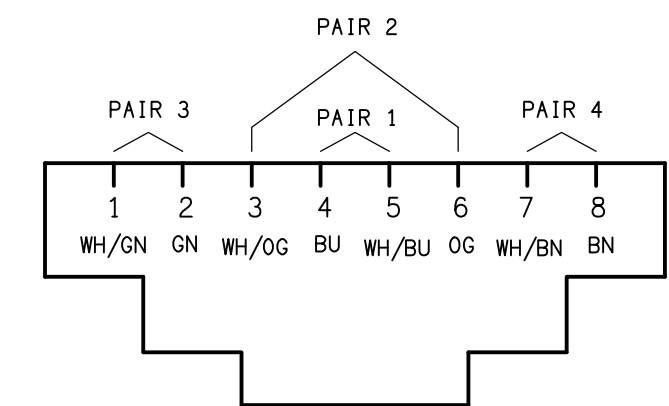
**SCHEMATIC**  
POWER CONFIGURATION  
NOT TO SCALE

- EQUIPMENT:**
- TEST - TEST PUSH BUTTON MOUNTED ON THE DISTRIBUTION BOARD ESCUTCHEON.
  - RESET - RESET PUSH BUTTON MOUNTED ON THE DISTRIBUTION BOARD ESCUTCHEON.
  - LAMP - AMBER TEST INDICATING LAMP MOUNTED ON THE DISTRIBUTION BOARD ESCUTCHEON.
  - Ta - ADJUSTABLE 0-3 HOUR TIMED RELAY.
  - Tb - 15 MINUTE RUN-ON TIMER TO OPERATE UPON THE RETURN OF MAINS POWER.
  - Cx - CONTACTOR x.
  - CRx - CONTROL RELAY x.
  - Rx - RELAY x.

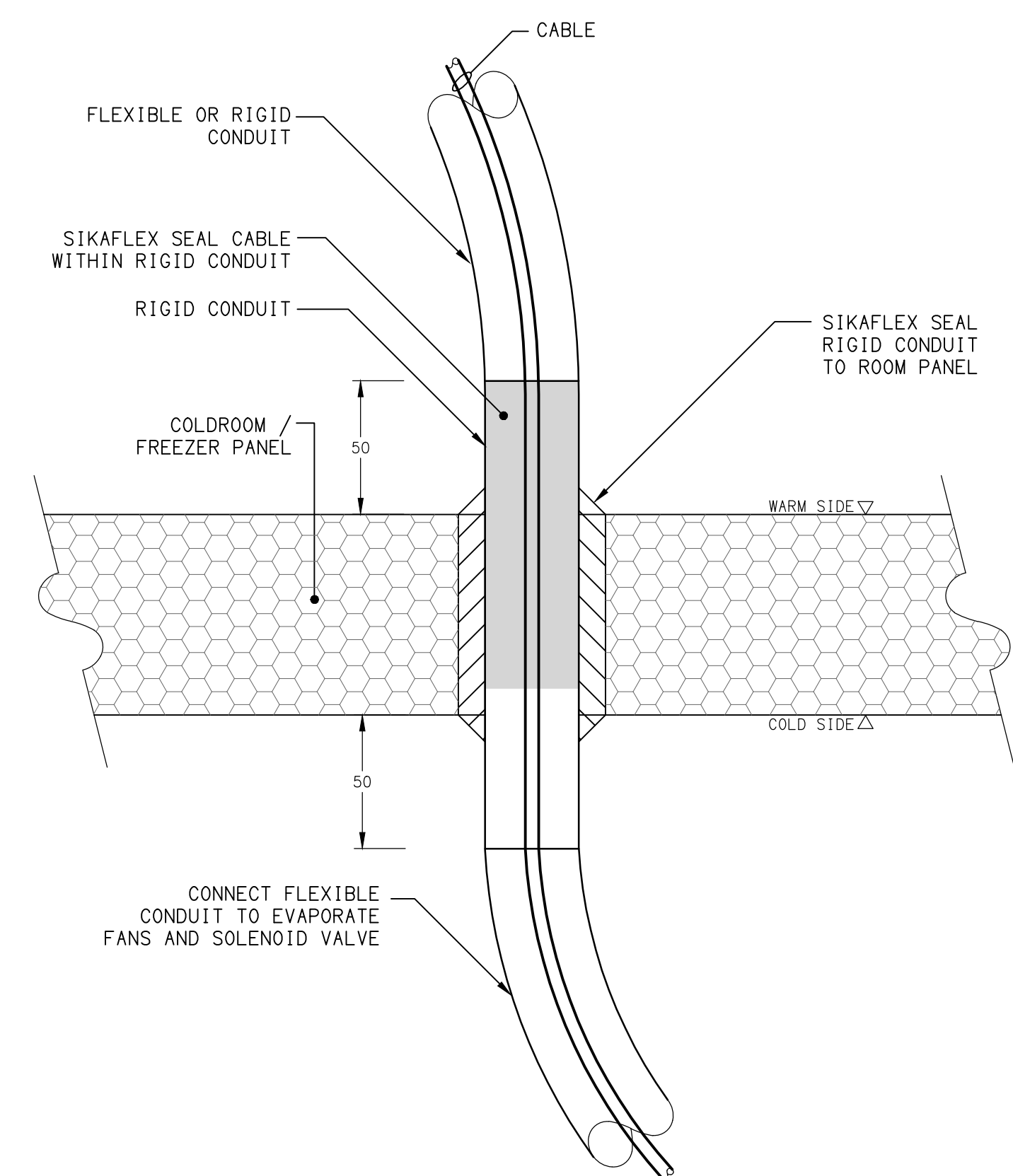


**SCHEMATIC**  
EMERGENCY LIGHTING  
NOT TO SCALE

- NOTES**
1. THE EMERGENCY LIGHT UNSWITCHED ACTIVE / GENERAL LIGHTING SWITCHED ACTIVE CIRCUIT ARRANGEMENT AND CONTROL IS TYPICAL FOR ALL CIRCUITS SUPPLYING EMERGENCY LIGHTS.
  2. PROVIDE ADDITIONAL CONTROL RELAYS (CRx) CONFIGURED AS PER CRa AND CRb FOR ALL ADDITIONAL LIGHTING CIRCUITS THAT SUPPLY LIGHTS IN THE VICINITY OF THE EMERGENCY LIGHTS.



**SCHEMATIC**  
RJ45 PINOUT CONFIGURATION  
NOT TO SCALE



**DETAIL**  
COOL ROOM CONDUIT PENETRATION  
NOT TO SCALE